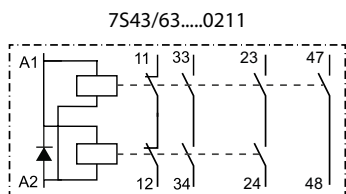




### 7S.43/63

	7S.43.9.xxx.021x / 7S.63.9.xxx.021x
	012 U <sub>N</sub> 12 V DC
	024 U <sub>N</sub> 24 V DC
	048 U <sub>N</sub> 48 V DC
	110 U <sub>N</sub> 110 V DC
U <sub>min</sub> - U <sub>max</sub> (0.85...1.1)U <sub>N</sub>	
P 1.7 W	
6 A 250 V AC	
	AC1 1500 VA
	AC15 (230 V) 5 A
	DC1 (30/110/220V) 6/0.6/0.2 A
	DC13 (24 V) 3 A
	(-40...+70)°C

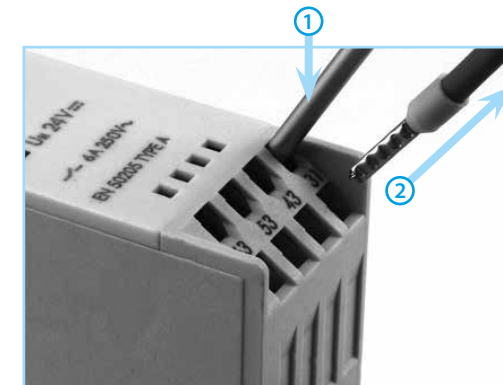
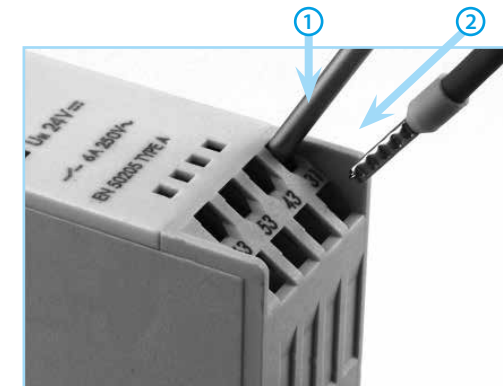
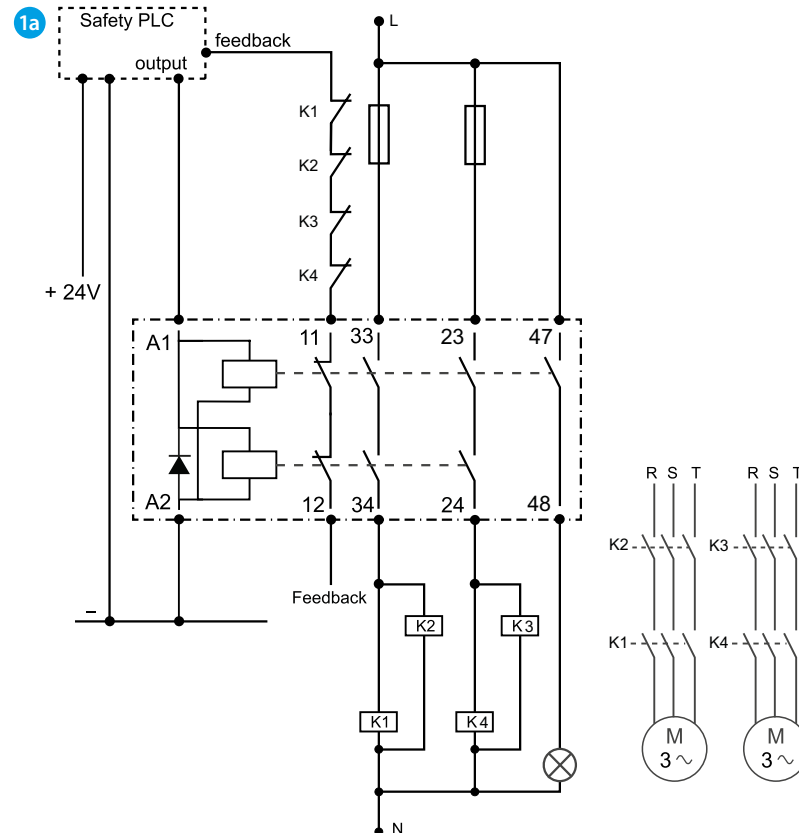
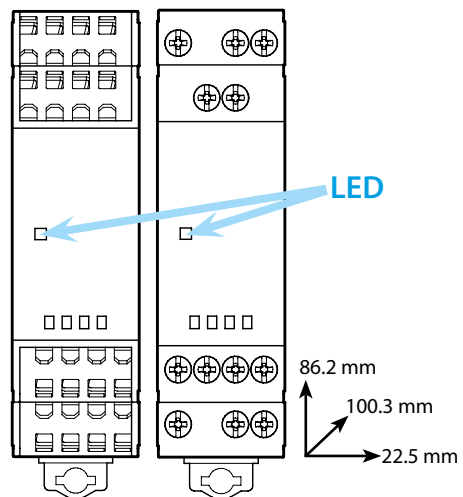
EN 61810-3 TYPE A



11		33	23
	47	48	
A1	A1	A2	A2
12		34	24

Probabilistic constraints	
T1	26280 h (3 years)
MTTR	8h
MTR	0.5 h

### 7S.43/63



	9mm	9mm
	(min) 0.5 mm <sup>2</sup> (max) 1x6 / 2x2.5 mm <sup>2</sup> (min) 21 AWG (max) 1x10 / 2x14 AWG	(min) 0.5 mm <sup>2</sup> (max) 1x4 / 2x2.5 mm <sup>2</sup> (min) 21 AWG (max) 1x12 / 2x14 AWG
	(min) 0.5 mm <sup>2</sup> (max) 1x1.5 mm <sup>2</sup> (min) 21 AWG (max) 1x14 AWG	(min) 0.5 mm <sup>2</sup> (max) 1x1.5 mm <sup>2</sup> (min) 21 AWG (max) 1x16 AWG

## ENGLISH

### 7S SIL3 - IEC61508

**Use of relay with forcibly guided contacts for applications up to SIL3.**  
 Double channel architecture system (architecture 1oo2 - one out of two) where both channels perform the safety function and in which the diagnostics are managed externally by the device itself (entrusted, for example, to a safety PLC). Dynamic tests are not foreseen / imposed by the manufacturer. When the NO contacts do not open when the coil has been disconnected, the NC contact does not close and the machine restart must be prevented. The use of the relay as a device for carrying out a safety function provides that it is used following well-established circuit techniques for safety purposes, i.e. the use of NO contacts of a relay which open the load supply circuit when the coil is de-energized. With these prerequisites, the failure of failure to close the contact is a safety failure while the failure to open contact is a dangerous failure. The data provided below refer to contacts NO 22-23, 33-34. The NO contact 47-48 is an auxiliary contact for general use.

SIL	Type of load	PFHd (1/h)	External diagnostics	Architecture	DC avg	SFF
3	DC13-3 A, 24 V DC	7.98*10 <sup>-8</sup>	YES	Channel double (1oo2)	99%	0.995
	AC15-5 A 250 V AC					

Type of load	λ <sub>s</sub>	λ <sub>dd</sub>	λ <sub>du</sub>	β <sub>d</sub>	SFF	Route
DC13-3 A, 24 V DC	1.59*10 <sup>-5</sup>	1.51*10 <sup>-5</sup>	7.97*10 <sup>-7</sup>	5%	0.995	1H
AC15-5 A 250 V AC						

Further information on the safety and functional aspects of the product can be found in the general Finder catalog, which is an integral part of this manual and is available at [www.findernet.com](http://www.findernet.com)

Safety Contacts	NO	23-24	SIL3 evaluated according to IEC/EN 61508
		33-34	
Auxiliary Contact depending on 7S type	NO	11-12	Tested according to EN 61810-3
		47-48	

1a Example of application

