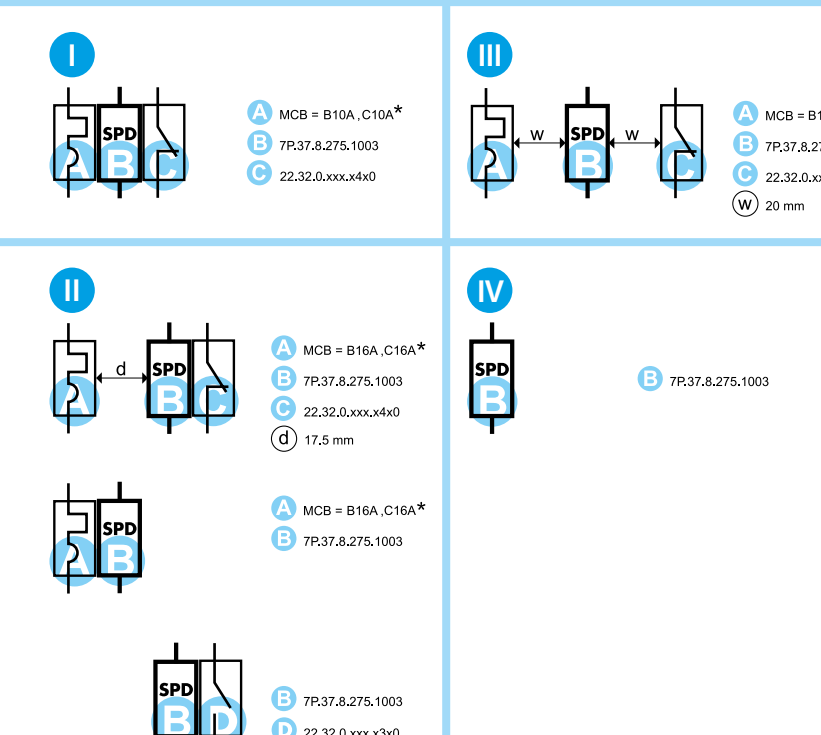
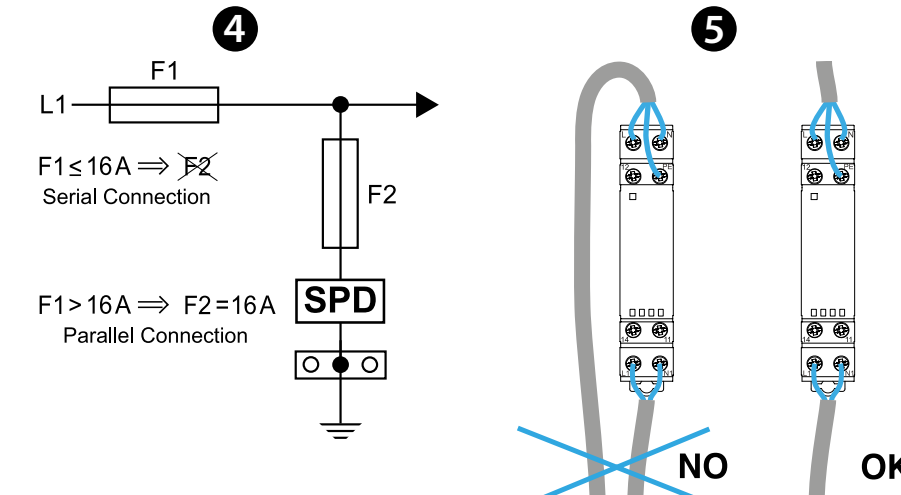
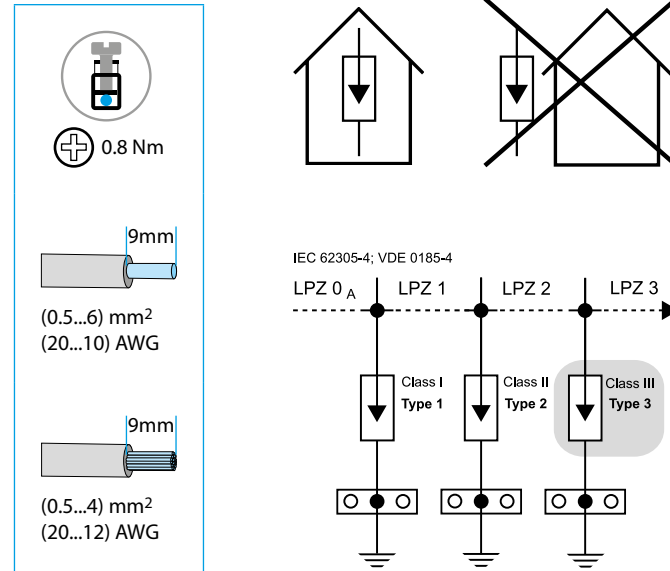
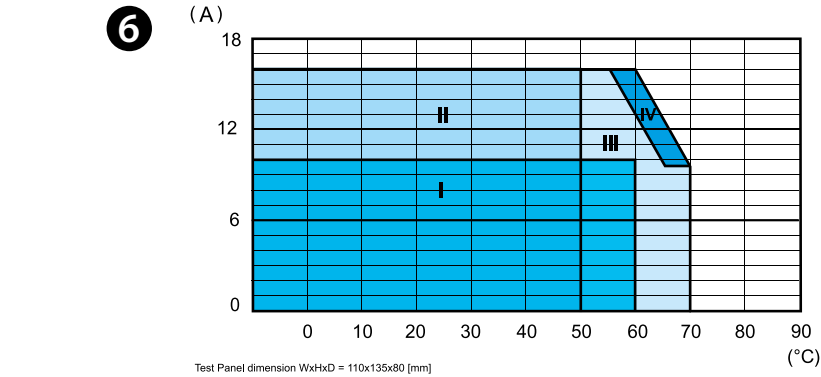
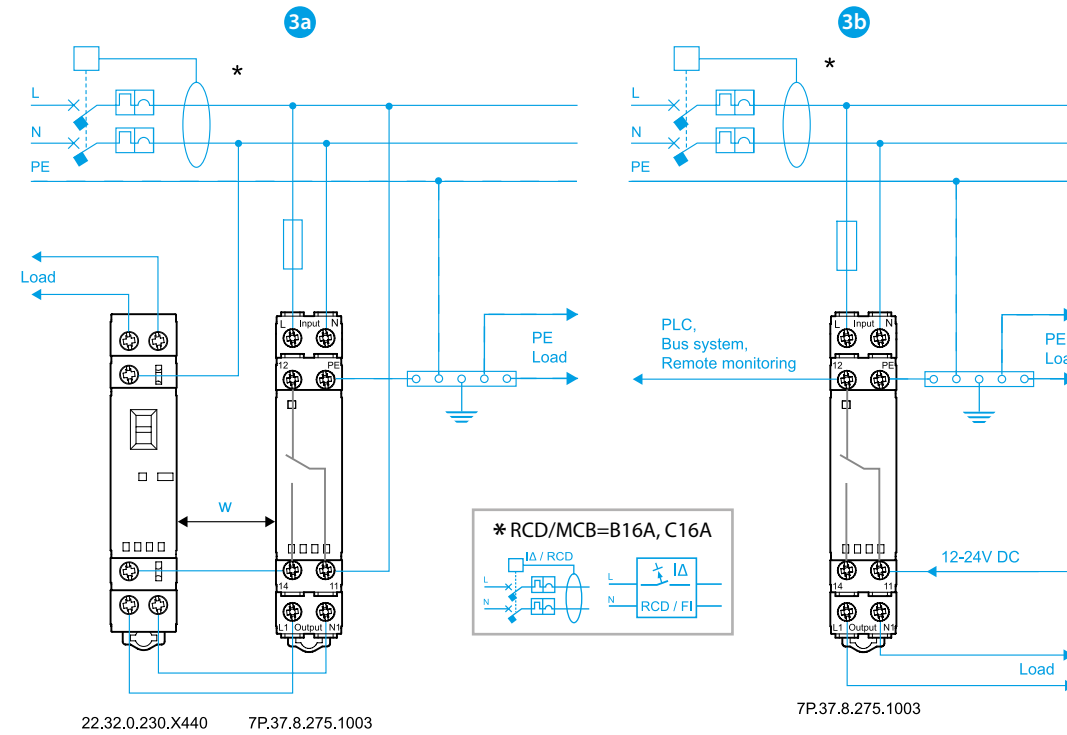
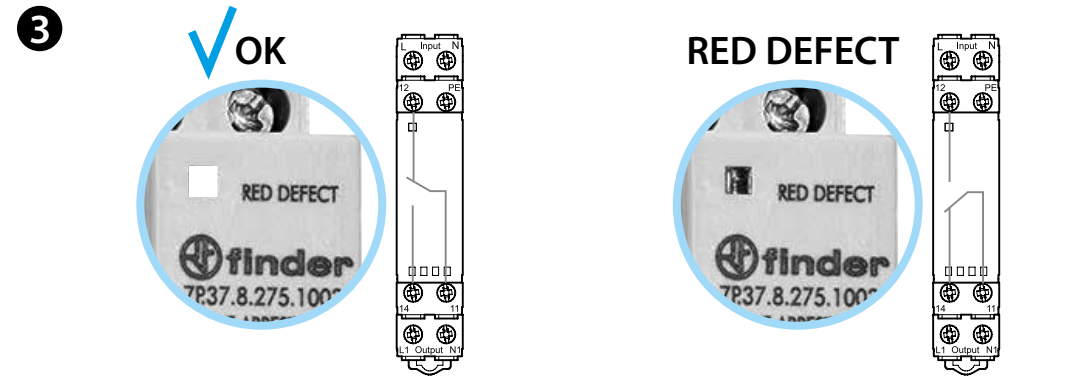
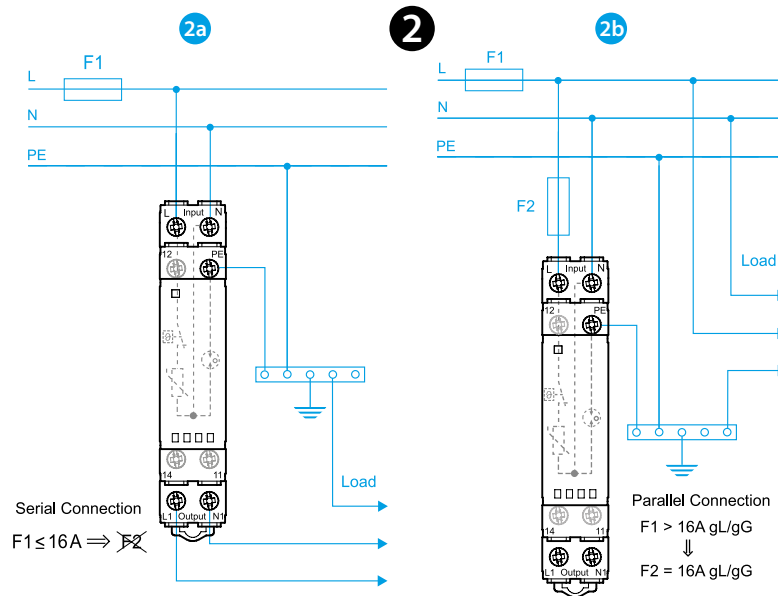
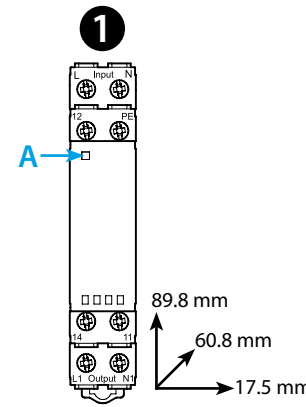




7P.37

7P.37.8.275.1003	
U _N	230 V AC
U _C	275 V AC
I _L	16 A
U _{oc} L - N/L(N) - PE	6/6 kV
I _n L - N/L(N) - PE	3/3 kA
U _p L - N/L(N) - PE	1/1.5 kV
	16 A gL - gG / B16 A - C16 A
	-25°C...+70°C
Typ3 / ClassIII	IEC61643-11 + A11
IP20	
1 CO (SPDT) AgNi + Au	
0.5 A - 230 V AC	125 VA
AC1	25 VA
DC1 (30/110) V	(2/0.3)A
Min 10 mW	0.1 V - 1 mA



ENGLISH

7P.37
SURGE ARRESTER FOR TT/TN-S SINGLE PHASE SYSTEM (WITH NEUTRAL)
 Finder SPD 7P Series units must be installed only by qualified personnel in accordance with National standards and safety regulations (IEC 60364-5-53, VDE 0100-534). Before installing the unit, verify that it is not damaged and, to avoid the risk of internal condensation, ensure that it has not been stored at low temperature. Opening or modifying the device will void the warranty. Before starting any insulation measurement of the electrical system, it is necessary to disconnect the SPD from supply line.

- FRONT PANEL**
A LED
- WIRING DIAGRAM**
 Install only in TT or in TN-S systems (with neutral conductor) after the RCD, MCB or fuse. It is important to respect the recommended size of the backup fuse (fig.4) and ensure that the system rated voltage is less than U_C. Do not run other conductors (e.g. Bus, fig.3b) in parallel with the input or output cables to the SPD (fig.5). The 7P37 may not be used in any DC applications.
2a The 7P37.8.230.1003 is wired serially upstream of the device to be protected such that the load current flows through the SPD. The load current must therefore not exceed the rated load current I_L of the SPD (see Temperature/Current de-rating fig.6). The short circuit characteristics of the system and the SPD (and associate contactor fig.3a) then need to be taken into account. Connect the incoming conductors to terminals L, N & PE (Input side). Connect the load conductors to Output terminals L1 and N1. In order to ensure the best protection, connect the incoming ground conductor (PE) to the same equipotential bonding bar (inside the switch panel) to which the SPD and load PE will be connected.
2b If the load current of the device to be protected exceeds the rated load current of the SPD then both the load and the SPD can be connected in parallel to the supply line (fig.4). In order to ensure the best protection, connect the incoming ground conductor (PE) to the same equipotential bonding bar (inside the switch panel) to which the SPD and load PE will be connected.
- VISUAL INDICATION/INTEGRAL RELAY CONTACTS**
 Visual LED fault signaling of varistor condition: When Red, replace SPD. Integral change-over relay contacts for remote indication of need to replace SPD:
 SPD OK: 11-12 closed, 11-14 open
 SPD Defect: 11-12 open, 11-14 closed
 Without power supply, LED and relay will not function.
3a Suggested application: Use terminals 11-14 to drive Finder model 22.32...x4x0 contactor. (The relay's NC contacts will disconnect the supply from the load when the SPD needs replacing)
3b Suggestion: Use terminals 11-12 to connect to a BUS system or PLC to indicate the condition of the SPD (healthy/replace - 11-12 closed/open)

