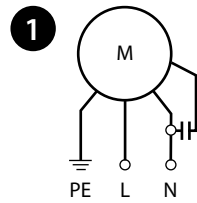


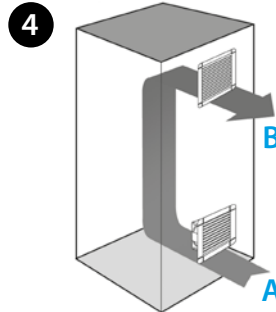
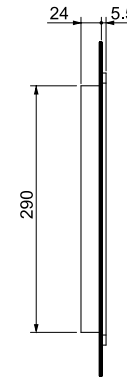
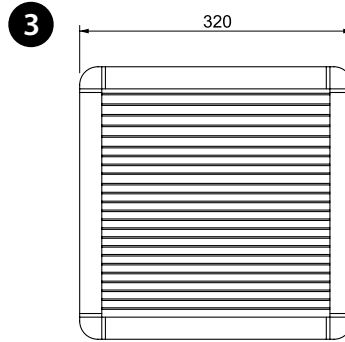
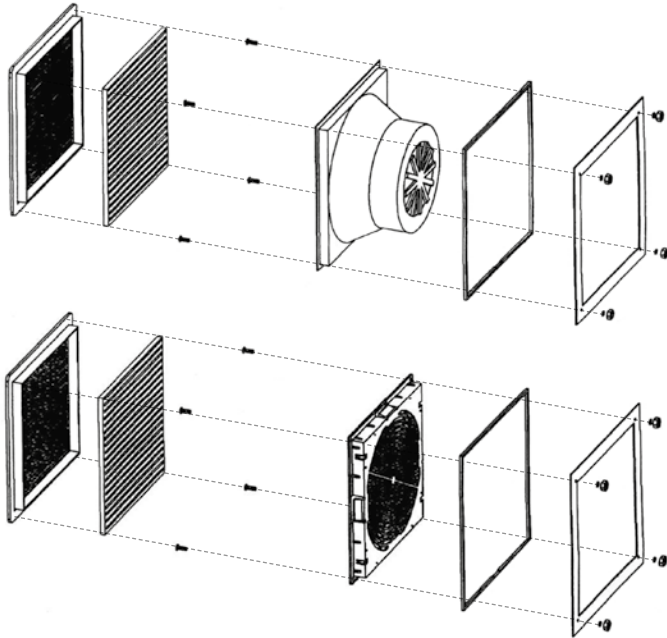
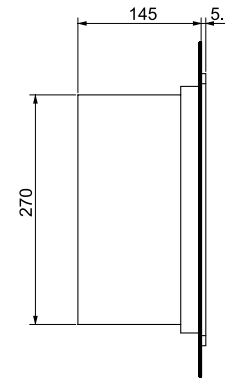
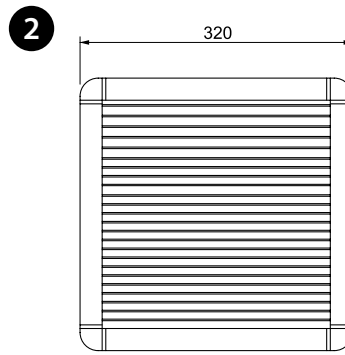


7F-5630

7F.x0.8.xxx.5630		
	U _N 120 V AC (50/60 Hz) (8.120)	
	U _N 230 V AC (50/60 Hz) (8.230)	
P _N 130 W		
OUT	m ³ /h	630
	m ³ /h (+ 7F.0x)	470
	dB (A)	72
	(-10...+70)°C	
IP54		



	max 2.5 mm ²
	0.8 Nm



ENGLISH

7F FILTER FAN

1 WIRING DIAGRAM

2 OUTLINE DRAWING

3 ACCESSORIES

Exhaust Filter:

7F.05.0.000.5000 (for 7F.50)

7F.07.0.000.5000 (for 7F.70)

Filter mat:

07F.55

4 MOUNTING (example)

A filter fan

B exhaust filter

OTHER DATA

7F.50 Filter fan - for indoor use

7F.70 EMC filter fan - for indoor use

NOTE

The technical features (air volume, dimensions and electrical parameters) for the Standard Filter Fans (7F.50), the EMC filter fans (7F.70) and the Reverse flow versions (7F.80) - are exactly the same.

Filter mat class:

EU3 according to DIN 24185, filtering degree (80...90)%.

Filter material:

Synthetic fibre with progressive construction, temperature resistant to 100°C, self extinguishing, Class F1 (DIN 53438).