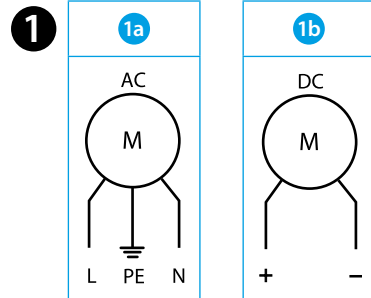




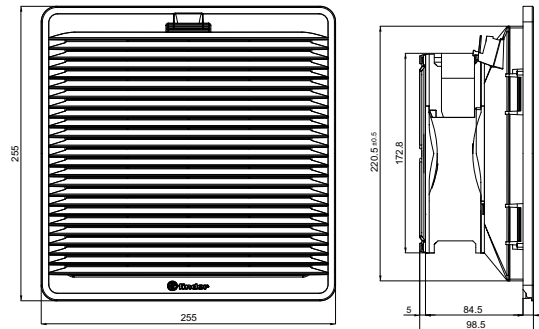
7F20-4230
7F02-4000

7F.2x.x.xxx.4230	
	U _N 110...120 V AC (50/60 Hz) (8.120)
	U _N 230...240 V AC (50/60 Hz) (8.230)
	U _N 24 V DC (9.024)
P _N 40 W (AC)/26 W (DC)	
OUT	m ³ /h 230
	m ³ /h (+ 7F.02) 180
	dB (A) 53 (AC) 61 (DC)
	(-15...+55)°C
IP54	
UL [®] US	
For Use on a Flat Surface of a Type 1, 12 Enclosure	
Use copper conductor only, 90°C min	
Conductor size 14-18 AWG	
Surrounding air temperature 55°C	

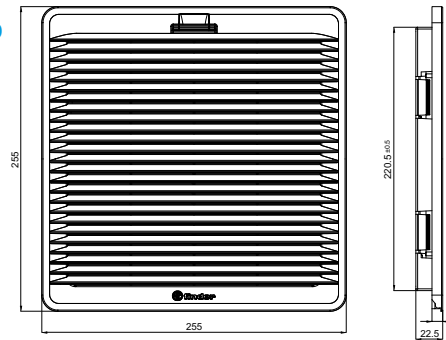


	0.75...2.5 mm ²
	18...14 AWG

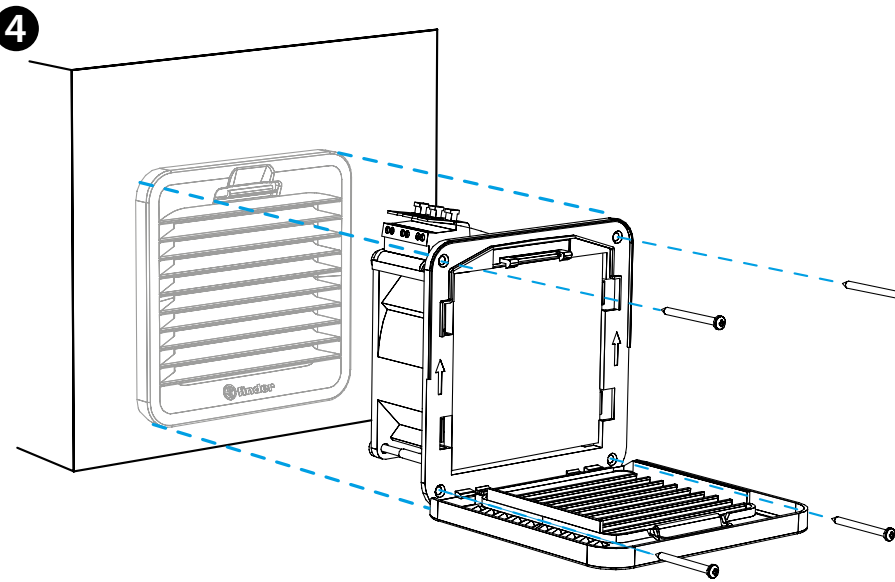
2 7F.2x.x.xxx.4230



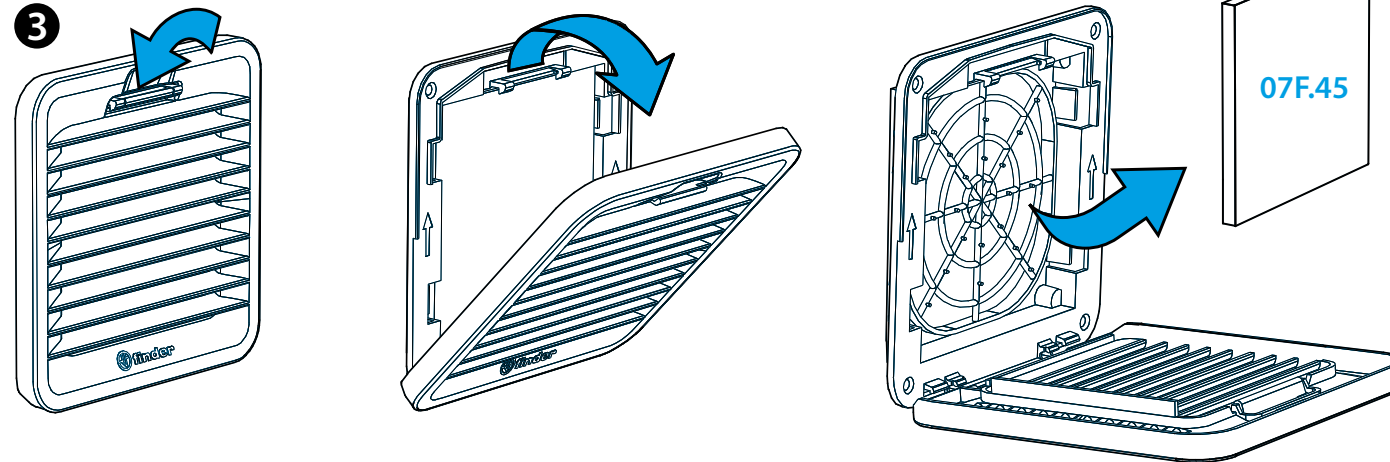
7F.02.0.000.4000



4



3



ENGLISH

7F.20 FILTER FAN
7F.21 FILTER FAN WITH REVERSE FLOW FILTER

- 1** **1a WIRING DIAGRAM AC**
1b WIRING DIAGRAM DC
- 2** **OUTLINE DRAWING (mm)**
7F.2x.x.xxx.4230 Fan
7F.02.0.000.4000 Grid
- 3** **GRID OPENING - FILTER REPLACEMENT**
Filter mat 07F.45
Filter mat class
EU3 according to DIN 24185, filtering degree (80...90)%
Filter material
Synthetic fibre with progressive construction, temperature resistant to 100°C, self extinguishing, Class F1 (DIN 53438)
- 4** **MOUNTING (example)**
The installation with the only clips is optimized for 1.5 mm thick sheets; it is also possible with thicknesses from 1 to 2.5 mm.
Fixing with screws (supplied) is recommended.
Tightening torque 0.3 Nm.