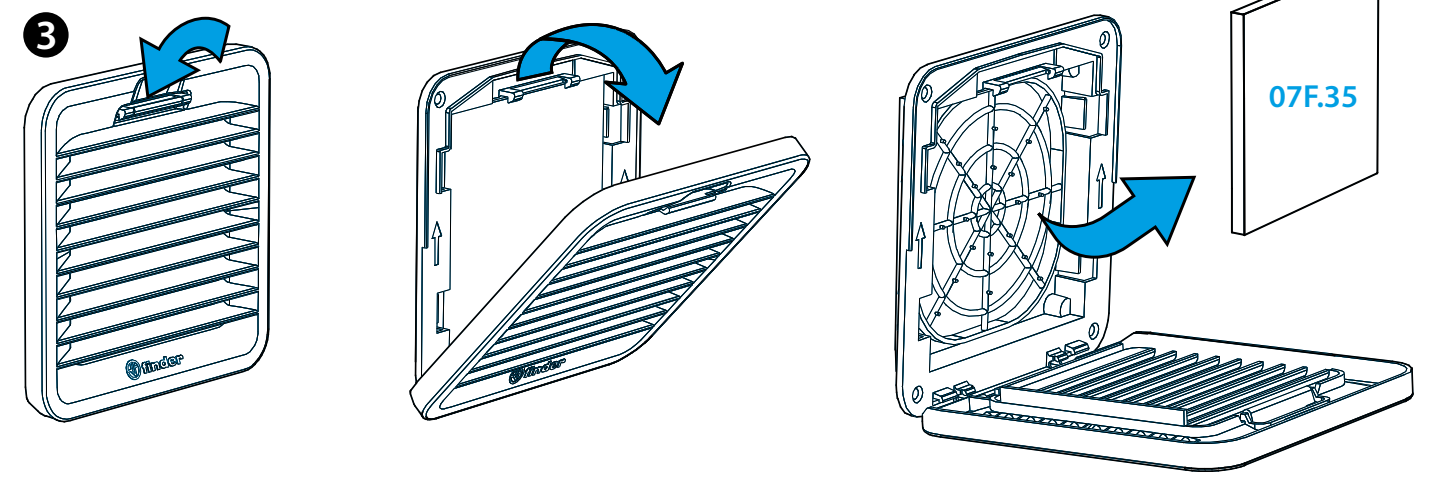
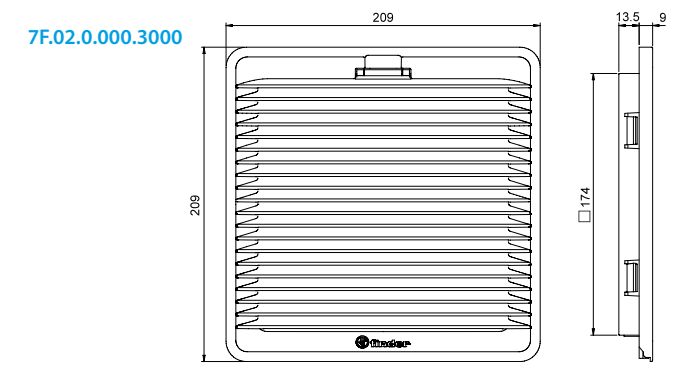
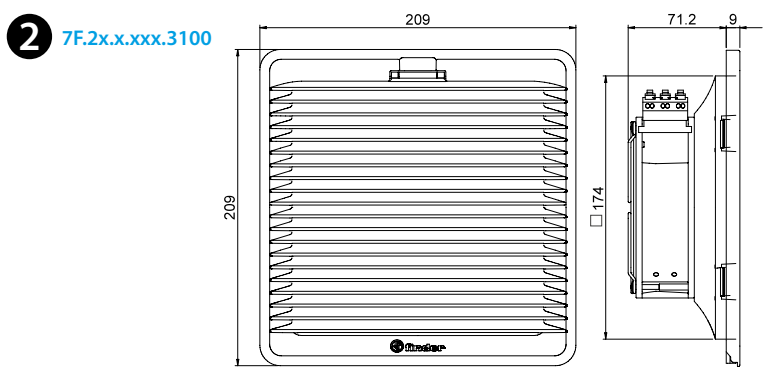
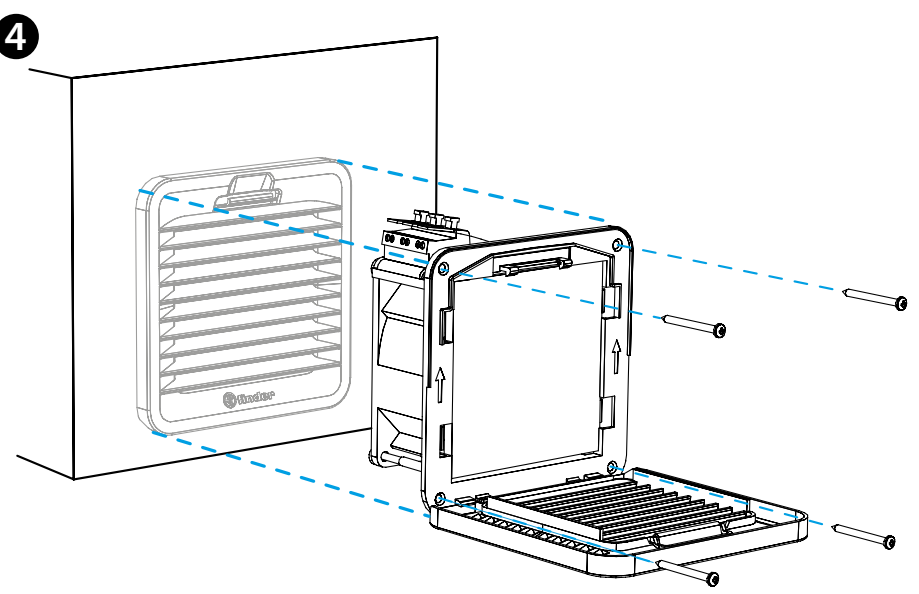
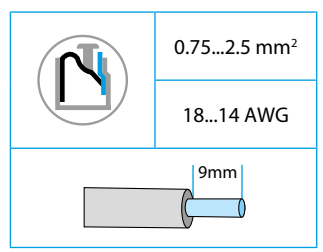
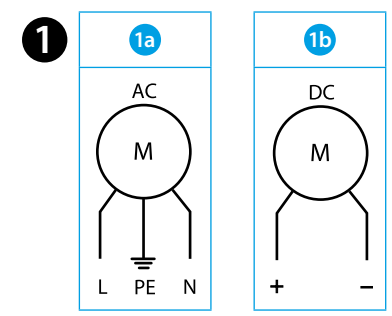


7F.20 FILTER FAN 7F.21 FILTER FAN WITH REVERSE FLOW FILTER

- 1** 1a WIRING DIAGRAM AC
1b WIRING DIAGRAM DC
- 2** OUTLINE DRAWING (mm)
7F.2x.x.xxx.3100 Fan
7F.02.0.000.3000 Grid
- 3** GRID OPENING - FILTER REPLACEMENT
Filter mat 07F.35
Filter mat class
EU3 according to DIN 24185, filtering degree (80...90)%
Filter material
Synthetic fibre with progressive construction, temperature resistant to 100°C, self extinguishing, Class F1 (DIN 53438)
- 4** MOUNTING (example)
The installation with the only clips is optimized for 1.5 mm thick sheets; it is also possible with thicknesses from 1 to 2.5 mm.
Fixing with screws (supplied) is recommended.
Tightening torque 0.3 Nm.



7F.2x.x.xxx.3100	
	U _n 110...120 V AC (50/60 Hz) (8.120)
	U _n 230...240 V AC (50/60 Hz) (8.230)
	U _n 24 V DC (9.024)
P _N 28 W (AC)/7 W (DC)	
OUT	m ³ /h 100
	m ³ /h (+ 7F.02) 75
	dB (A) 42 (AC) 46 (DC)
	(-15...+55)°C
IP54	
UL	
For Use on a Flat Surface of a Type 1, 12 Enclosure Use copper conductor only, 90°C min Conductor size 14-18 AWG Surrounding air temperature 55°C	



7F20-3100
7F02-3000