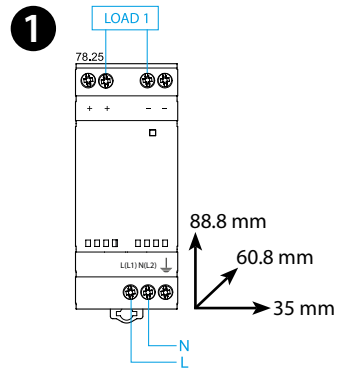
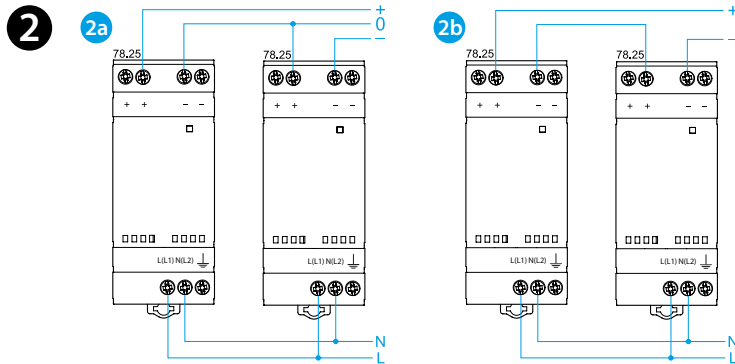




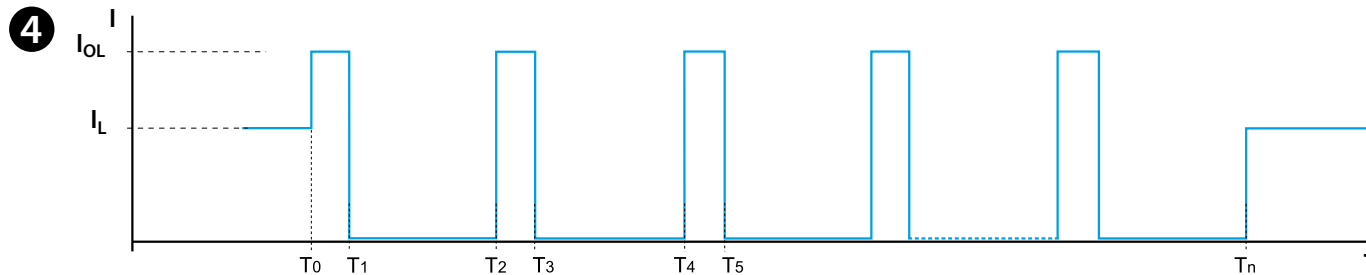
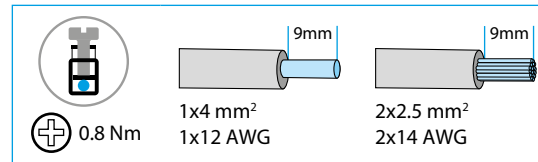
78.25

78.25.1.230.xx00	
IN	U_N (110...240)V AC (50/60Hz) $U_{min} - U_{max}$ (100-265)V AC ($I_{OUT} = I_N$) $U_{min} - U_{max}$ (88 - 100)V AC ($I_{OUT} = 80\% I_N$) U_N 220 V DC $U_{min} - U_{max}$ (140-370)V DC $P < 0.5 W$ (0.3 W 78-1200)
OUT (78.25-1200)	2.1 A (max 4 A - 3 ms) 12VDC, 25 W [(-20...+40)°C, IN 230 VAC] 1 A (max 4 A - 3 ms) 12VDC, 25 W [50°C, IN (100...265) VAC - (140...370)VDC]
OUT (78.25-2400)	1 A (max 3 A - 3 ms) 24VDC, 25 W [(-20...+40)°C, IN 230 VAC] 0.75 A (max 3 A - 3 ms) 24 V DC, 25 W [50°C, IN (100...265) VAC - (140...370)VDC]
	(-20...+60)°C
IP20	



3

78	U_N	LED
OK	✓	
Sh	✓	
ThL	✓	OFF



ENGLISH

78.25
SWITCH MODE POWER SUPPLY

- 1 WIRING DIAGRAM
- 2 WIRING DIAGRAM EXAMPLES
2a Dual connection
2b Series connection
- 3 LED
 U_N AC/DC Supply
Sh Short circuit
ThL Thermal limit
- 4 Hiccup mode (short circuit protection)
 I_{OL} - Overload current
 I_L - Load current

Under normal conditions, the 78 Series Power Supply supplies the current required by the load (I_L). However, under abnormal conditions (I_{OL}) such as a short circuit or heavy overload (T_0) the output voltage will be rapidly reduced to zero followed by the current (T_1). After approximately 2 seconds (T_1 to T_2), the power supply checks for the persistence of the anomaly over the time period T_2 to T_3 (30 to 100ms-dependent on the type of anomaly). If the anomaly persists, as shown above, the current is again reset to 0 A for a further 2s (T_3 to T_4). This "hiccup" process is repeated until the anomaly is removed (T_n), whereon the power supply then returns to normal working.

NOTE
 Efficiency (@230VAC) 89%
 Conducted and radiated emissions: class B (EN 55022)
 Thermal protection: internal, with V_{out} shutdown
 Start-up delay: <1s
The product can be used without particular wiring requirements, but, to ensure compliance with EN 61204-3: 2019, the length of the connection cables between the output terminals and the load must not exceed 30 m