

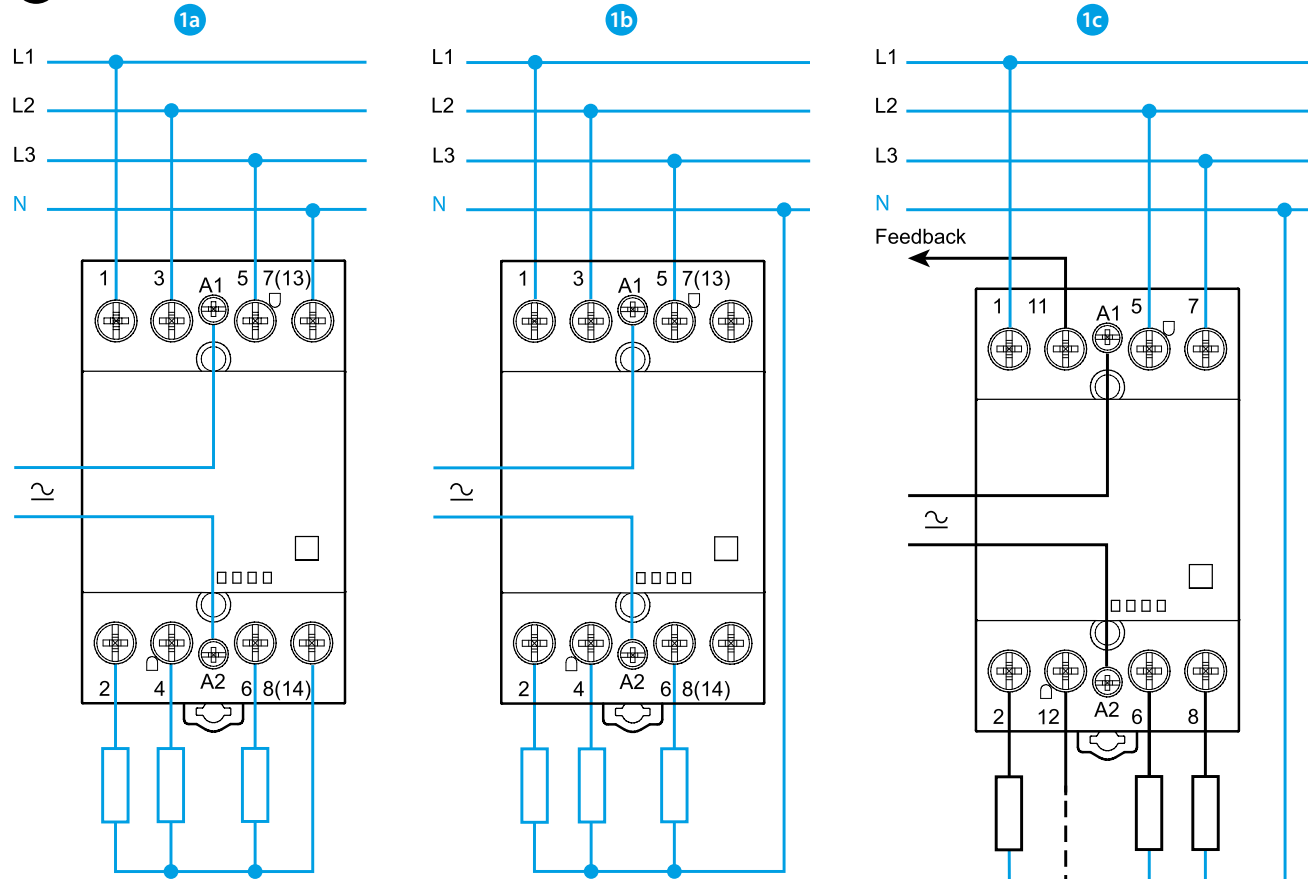
22.44

22.64

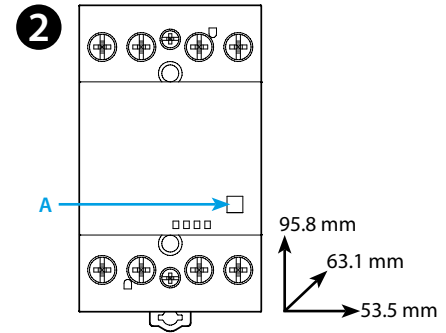


	22.44.0.xxx.4x10 U_N [12 - 24 - 110...120 (110 V DC) - 230...240 (220 V DC)] V AC (50/60 Hz) / DC $U_{min} - U_{max}$ (0.85...1.1) U_N P 5 VA (50 Hz) / 5 W	
	40 A 440 V AC (EN 61095: 2009 - EN 60947-4-1: 2009)	
	22.44 AC1 / AC-7a (400 V) 16000 VA AC3 / AC-7b (400 V) 22 A DC1 (30/110/220)V (40/4/1.2) A $\frac{M}{3\sim}$ (400 - 440 V AC) 11 kW 4000 W 1500 W CFL-LED 1000 W	22.64 AC1 / AC-7a (400 V) 24000 VA AC3 / AC-7b (400 V) 30 A DC1 (30/110/220)V (63/4/1.2) A $\frac{M}{3\sim}$ (400 - 440 V AC) 15 kW 5000 W 2000 W CFL-LED 1500 W
	-15...+55°C [-25...+55°C - 22.44.0.xxx.4310]	
	IP20	

1

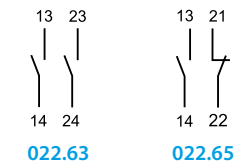
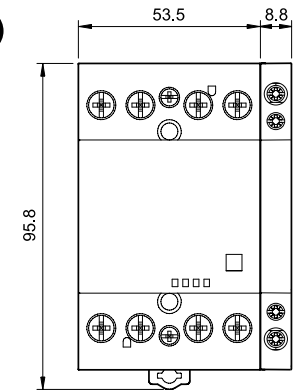


2



22.44 + (022.63 / 022.65)

3



	022.63 2 NO (DPST-NO) 022.65 1 NO (SPST-NO) + 1 NC (SPST-NC)
	AC1 6 A AC15 (230 V AC) 700 VA

ENGLISH

22.x4 MODULAR CONTACTORS 40 A
 Compliant with EN 61095: 2009 and with EN 60947-4-1: 2009

- 1 CONNECTION DIAGRAM**
 - 1a Line and neutral switched
 - 1b Line only switched
 - 1c Example of application of contactor with Mirror Contacts*

- 2 FRONT VIEW**
 - A Mechanical indicator

- 3 ACCESSORIES**
 - Auxiliary contact module available (022.63/022.65) for "Quick assembly" to the main contactor

NOTE

- The maximum ambient temperature for 3 adjacent contactors is +40°C. Where more than 3 contactors are installed, it is necessary to interpose an air gap of 9 mm between each group of three contactors
- The maximum ambient temperature for 2 adjacent contactors is +55°C. Where more than 2 contactors are installed, it is necessary to interpose an air gap of 9 mm between each group of two contactors
- Operate/release time: (20/45) ms

* (4717): Mirror contact: EN60947-4-1
 Normally closed contact is definitely in open position if the normally open contact is closed

