



finder[®]
SWITCH TO THE FUTURE

LED emergency light "LUMOS"



1L
SERIES



Emergency
lighting



LED emergency light "LUMOS"

Type 1L.10

- Wall mount installation

- Complies with CEI 64-8
- Nominal voltage: 230 V AC (50/60)Hz
- Rechargeable battery
- Battery run time 2.5 hours
- Modern design
- Wall mounting compatible with 3 module housing, complete with adaptor for following frames:
 - Ave series S44
 - BTicino series Axolute
 - BTicino series Living
 - BTicino series Living Light
 - BTicino series Living Light Air
 - BTicino series Matix
 - Gewiss series Chorus
 - Gewiss series System
 - Simon Urmet Nea
 - Vimar series Eikon
 - Vimar series Idea
 - Vimar series Arkè
 - Vimar Plana
- White or black color version

1L.10



- This emergency lighting module activates in the event of a failure of the lighting supply

1L.10
Screw terminal



For outline drawing see page 4

Technical data		
Luminous flux	Lumens	14
Efficiency	Lumens/Watt	67
Time to fully charge the battery	h	72
Maximum illumination time (assuming fully charged battery)	h	2.5
Color temperature	k	5700
Supply specification		
Nominal voltage (U _N)	V AC (50/60 Hz)	110...230
Operating range	V AC (50/60 Hz)	88...264
Power consumption	W	0.2
Technical data		
Ambient temperature range	°C	-10...+50
Protection category		IP 20
Approvals (according to type)		CE

Ordering information

Example: 1L series, LED emergency light, 230 V AC supply.

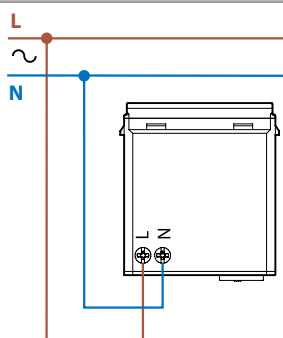
1 L . 1 0 . 8 . 2 3 0 . 0 0 0 0

Series
Type
10 = LED emergency light

Supply voltage
230 = 110...230 V
Supply version
8 = AC (50/60 Hz)

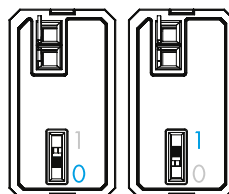
Color
0 = White
2 = Anthracite gray

Wiring diagrams

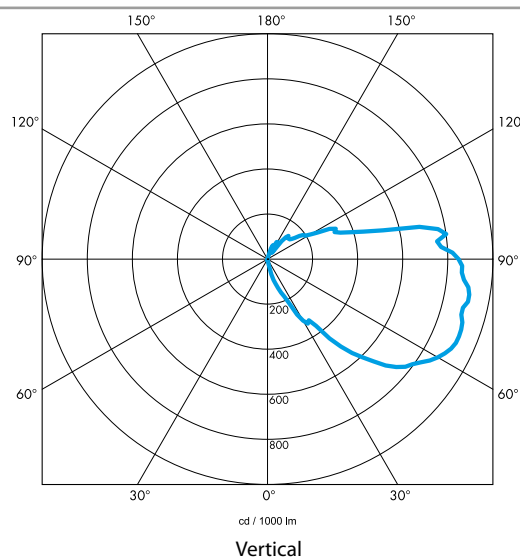
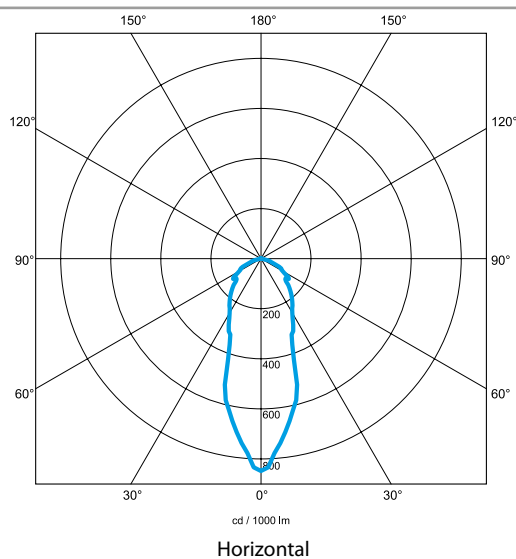


PUTTING INTO SERVICE

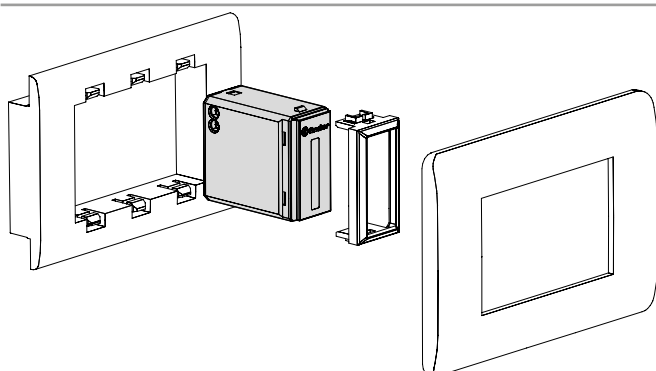
After carrying out the connection and before proceeding with closure of the wall box move the selector from position 0 to 1. With this setting the Lamp will turn on when power is OFF and will turn off with the power supply present.



Polar diagram



Adaptor



Outline drawings

