

REPORT

18 Series



finder[®]
SWITCH TO THE FUTURE

NEW



New PIR movement detector for external installations

Type 18.A1.8.230.0000

For external installations - wall mounting, small size.

Protection category IP 55.
Versatile and suitable for any environment.

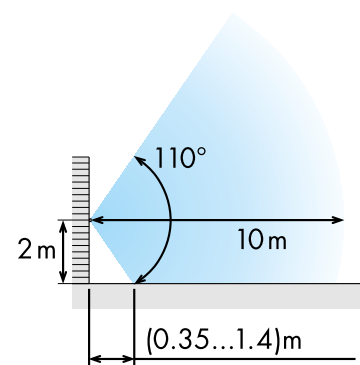
Features

- Ambient light intervention threshold: 5...1,000 lx
- Light on time after last detection: 10sec...20min
- Rated voltage 110...230 V AC (50/60Hz)
- 1 NO contact rated 10 A 230 V AC
- Push-In terminals

Thanks to IP55 protection, the Type 18.A1 is suitable for outdoor applications such as parking, gardens, and other wet environments such as bathrooms or showers.



180° horizontal rotation.
30° vertical rotation.



Survey angle 110°.



Settings

External potentiometers for setting the optimum ambient light level and the off-delay:

- Ambient light intervention threshold: 5...1,000lx
- Light on time after last detection: 10sec...20min

Movement and presence detectors 18 Series Finder



Type 18.01
Wall
mounting



Type 18.21
Surface
mounting



Type 18.31
Recessed
mounting



Type 18.41
For corridor
up to 30 m



Type 18.51
Presence
detector